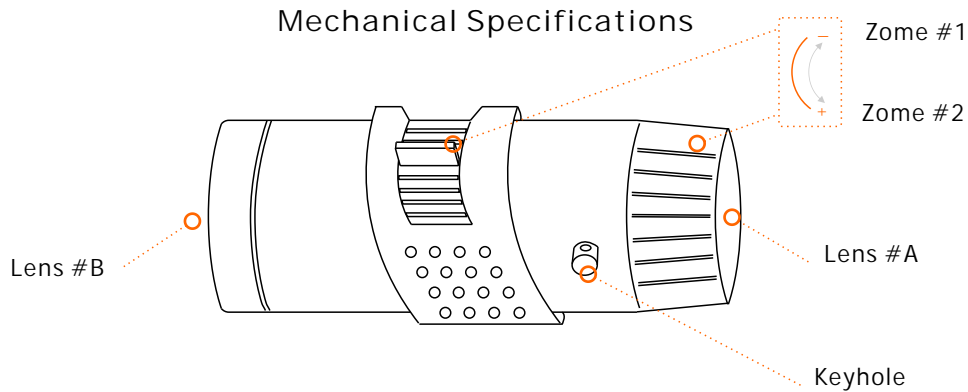
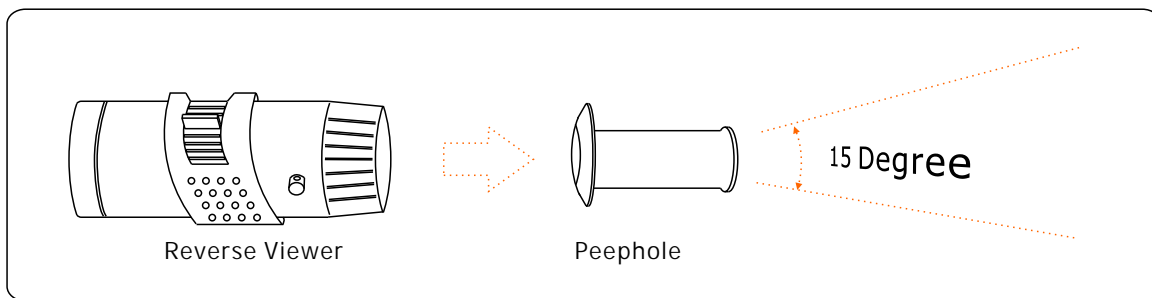


## Peephole Reverse Viewer



### Function 1 – Peephole Reverse Viewer



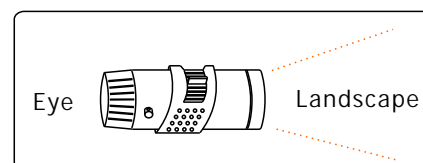
As per above sketch showing, affix lens #A on out side of peephole, then you can view inside of the room within 15 degree.

Please max Zone #1 and Zone #2 to get clearest view. Zome #1/2 will not effect viewing distance.

\*\* You can roll up rubber cover if can not affix lens #A to peephole.

### Function 2 – Golf Landscape Binoculars

Put your eye on lens #B. From where you are standing, rotate the lens #1 and lens #2 until the image is clear and sharp.



### Care and Cleaning

Please handle peephole reverse viewer with care, it will provide years of trouble-free service. Like any fine optical instrument, your peephole reverse viewer should be given sensible care.

Blow away any dust or dirties on the lens, or use a glass cloth to brush dust. To remove dirt or fingerprint, clean with a glass cloth rubbing in a circular motion.

For a more through cleaning, photographic-type lens cleaning fluid may be used.

### Caution

DO NOT VIEW THE SUN with peephole reverse viewer. Observing the sun can cause the permanent eye damage.

